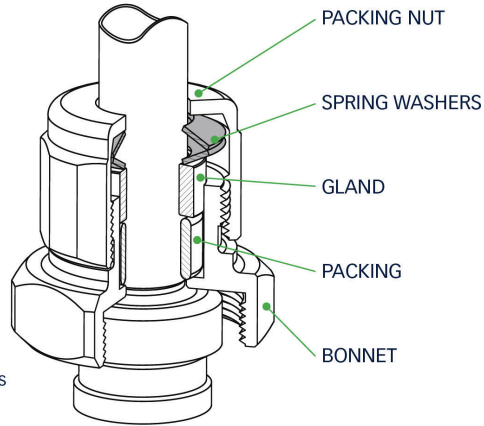


If you don't see it, call us. We can make it and ship it within 24 hours!

# Globe Style Radiator Valves

dahl's unique spring-loaded self-adjusting packing system

- No need to disassemble before soldering – leave in open position
- DO NOT adjust packing nut
- All models available with air vent and 1-1/4 eccentric unions
- See Full Line catalog for more models and options



GLOBE VALVE PACKING  
CUTAWAY VIEW

## Heavy Pattern

- For Low Pressure Stream, Forced Water Heating and Cooling Systems.
- 250 PSI / 250°F
- 150WSP
- HI-Temp disc standard on all models

### 11040 SERIES F X UNION



Pattern	Finish	Description	Part Number	List US\$	Box/Mstr
ANG	RB	11041 1/2 F x 1/2 Dual Un	11041-4112	105.72	6/36
ANG	RB	11041 3/4 F x 3/4M Un	11041-6113	95.68	5/30
STR	RB	11042 1/2 F x 1/2 Dual Un	11042-4112	94.67	6/36
STR	RB	11042 3/4 F x 3/4M Un	11042-6113	101.78	4/24

### 12000 SERIES F X F LESS UNION



Pattern	Finish	Description	Part Number	List US\$	Box/Mstr
ANG	RB	12003 1/2 F x 1/2 F	12003-4000	82.28	6/36
ANG	RB	12003 3/4 F x 3/4 F	12003-6000	84.78	6/36

## Regular Pattern

- For Forced Water Heating and Cooling Systems.
- 200 PSI / 250°F

### 11020 SERIES F X UNION



Pattern	Finish	Description	Part Number	List US\$	Box/Mstr
ANG	RB	11021 1/2 F x 1/2 Dual Un	11021-4112	69.08	12/72
ANG	RB	11021 3/4 F x 3/4M Un	11021-6113	64.48	6/36
STR	RB	11022 1/2 F x 1/2 Dual Un	11022-4112	69.55	12/72
STR	RB	11022 3/4 F x 3/4M Un	11022-6113	79.01	6/36

ANG = Angle, STR = Straight, CP = Chrome Plated, RB = Rough Brass

See our website for all products and specialties