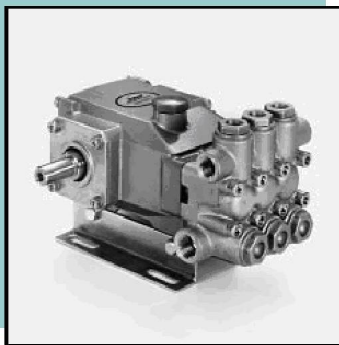




3CP Direct and Belt Drive
SPECIFICATIONS

Measurement	U.S. Measure	Metric Measure
Flow	4.2 GPM	(16.0 L/M)
Discharge Pressure	100 TO 2200 PSI	(7 TO 155 BAR)
Inlet Pressure	Flooded to 60 PSI	(Flooded to 4 BAR)
RPM	1725 RPM	(1725 RPM)
Horsepower	.6.3 HP	(6.3 HP)
Bore	0.709 inches	(18 mm)
Stroke	.0.500 inches	(12.7 mm)
Crankcase Capacity	11.8 oz.	(.35 L)
Inle Ports (2)	1/2" NPTF	(1/2" NPTF)
Outlet Ports (2)	3/8" NPTF	(3/8" NPTF)
Weight	14.84 lbs	(6.7 kg)
Dimensions	9.1" x 8.77" x 5.47"	(231 x 223 x 139 mm)
Notes	For Gas Drive see CP Gearbox Pumps - Model 3CP1120G. Optional	

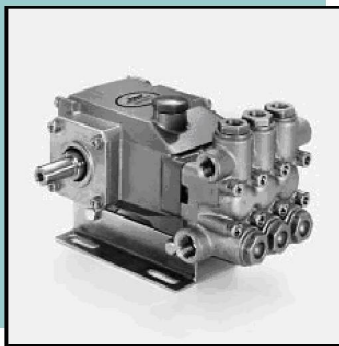
Standard 3CP1130



3CP Direct and Belt Drive
SPECIFICATIONS

Measurement	U.S. Measure	Metric Measure
Flow	2.4 GPM	(9.0 L/M)
Discharge Pressure	100 to 2200 PSI	(7 to 155 BAR)
Inlet Pressure	Flooded to 60 PSI	(Flooded to 4 BAR)
RPM	1725 RPM	(1725 RPM)
Horsepower	3.5 HP	(3.5 HP)
Bore	0.709"	(18 mm)
Stroke	0.276"	(7 mm)
Crankcase Capacity	11.8 oz.	(.35 L)
Inle Ports (2)	1/2" NPTF	(1/2" NPTF)
Outlet Ports (2)	3/8" NPTF	(3/8" NPTF)
Weight	14.84 lbs.	(6.7 kg)
Dimensions	9.1" x 8.77" x 5.47"	(231 x 223 x 139 mm)
Notes	Optional FPM Elastomers.	

Standard 3CP1140



3CP Direct and Belt Drive
SPECIFICATIONS

Measurement	U.S. Measure	Metric Measure
Flow	3.6 GPM	(13.6 L/M)
Discharge Pressure	100 to 2200 PSI	(7 to 155 BAR)
Inlet Pressure	Flooded to 60 PSI	(Flooded to 4 BAR)
RPM	1725 RPM	(1725 RPM)
Horsepower	5.4 HP	(5.4 HP)
Bore	0.709"	(18 mm)
Stroke	0.433"	(11 mm)
Crankcase Capacity	11.8 oz.	(.35 L)
Inle Ports (2)	1/2" NPTF	(1/2" NPTF)
Outlet Ports (2)	3/8" NPTF	(3/8" NPTF)
Weight	14.84 lbs.	(6.7 kg)
Dimensions	9.1" x 8.77" x 5.47"	(231 x 223 x 139 mm)
Notes	Optional FPM Elastomers.	

Table of Contents

Categorized listing

3CP Plunger Pumps

<i>Standard 3CP1120</i>	1
SPECIFICATIONS	1
<i>Standard 3CP1130</i>	1
SPECIFICATIONS	1
<i>Standard 3CP1140</i>	1
SPECIFICATIONS	1

Sample

Table of Contents
Alphabetized listing

S	
SPECIFICATIONS	1, 1, 1

Sample